



- B6N load cells are available in the capacities 5kg~200kg.
- 17-4PH stainless steel construction, potted by adhesive inside, oil proof, waterproof, anti-corrosive gas and medium making it suitable for all kinds of environments.
- Single point with parallel beam, suitable for electronic scales, platform scales, belt scales and other electronic weighing devices.
- Recommended platform size: 400×400mm

### Features

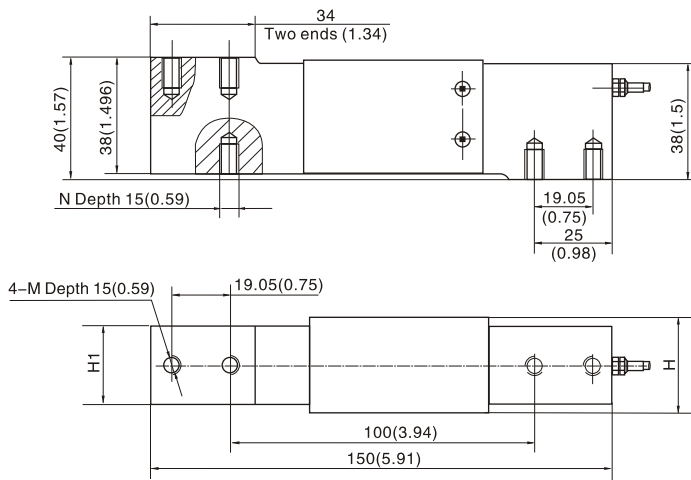
- Capacity: 5kg~200kg
- High accuracy
- Stainless steel construction
- Low profile and easy installation



### Specifications

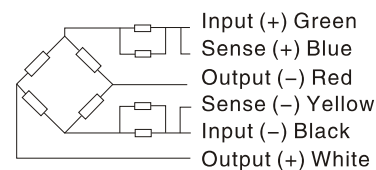
Capacity	kg	5/8/10/15/20/30/50/75/100/150/200	
Accuracy		C2	C3
Maximum number of verification intervals	nmax	2000	3000
Minimum load cell verification interval	Vmin	Emax/5000	Emax/10000
Combined error	(%FS)	≤±0.030	≤±0.020
Creep	(%FS/30min)	≤±0.024	≤±0.016
Temperature effect on sensitivity	(%FS/10°C)	≤±0.017	≤±0.011
Temperature effect on zero	(%FS/10°C)	≤±0.023	≤±0.015
Output sensitivity	(mv/v)	2.0±0.002	
Input resistance	(Ω)	384±4	
Output resistance	(Ω)	351±2.0	
Insulation resistance	(MΩ)	≥5000(50VDC)	
Zero balance	(%FS)	1.5	
Temperature, compensated	(°C)	-10~+40	
Temperature, operating	(°C)	-35~+65	
Excitation, recommended	(V)	5~12(DC)	
Excitation, max	(V)	18(DC)	
Safe overload	(%FS)	150	
Ultimate overload	(%FS)	300	
Corner correction		0.02%load value/100mm	

### Outline Dimension mm(inch)



### Note:

- Machining thread hole M and N are basing on customers' requirements.
- When customers require imperial: Thread hole M is 1/4-20UNC-2B, Thread hole N is 1/4-28UNF-2B;
- When customers require metric: Both thread holes M and N are M6-6H, and there will be an "M" under exit hole.



### Wiring:

Adopt shielded, 6 conductor cable: Φ5mm  
Standard cable length: 1m