

LYSITHEA - Double eccentric butterfly valve DN400-2200 (3000)

Description

The LYSITHEA is a double eccentric butterfly valve for all kind of water and other non aggressive fluids. It is available with gear or electric actuator.

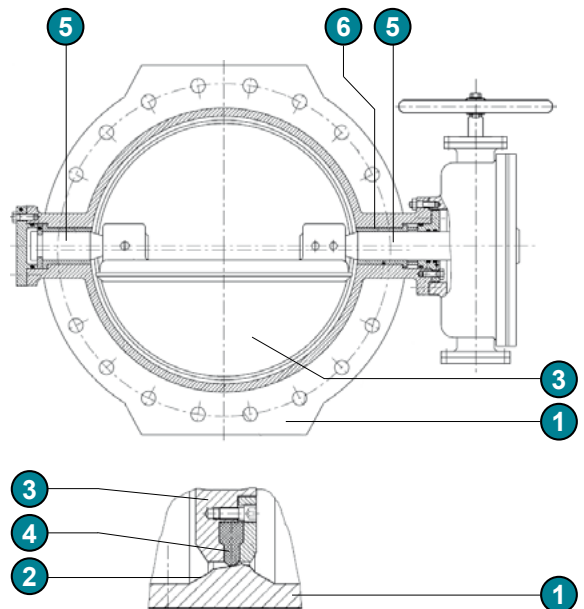
Product features

- Diameters DN 400 - 2200 (DN 2400 - 3000 on request)
- Face to face dimension acc. to ISO 5752 series 14 (EN 558-1 serie 14, DIN 3202 F4)
- Top flange according to EN ISO 5211
- Max. working pressure 16 bar up to DN 2200, 25/40 bar on request
- Rating PN10, PN16, ANSI cl.150 and others
- Temperature range 90°C (EPDM), 200°C (FPM)



Material specification

Item	Qty	Description	Material	DIN equivalent
1	1	Body	GGG40 / EN-GJS-400-15 Resicoat coated 250 µm	0.7050
2	1	Body seat surface	CrNi-Plasma	-
3	1	Disc	GGG40 / EN-GJS-400-15 Resicoat coated 250 µm	0.7050
4	1	Seat	EPDM, FPM	-
5	1	Shaft	Stainless steel X20 Cr13	1.4021
6	1	Bearing bush	Bronze CuSn10	-



Kv values [m³/h]

DN ->	400	450	500	600	700	800	900	1000	1100	1200	1400	1600	1800	2000	2200
PN10	12 000	16 000	20 600	29 700	40 400	52 800	66 900	82 500	99 900	119 000	162 000	211 000	280 000	354 000	440 000
PN16	10 700	13 500	16 700	24 100	32 800	42 800	55 000	67 900	86 300	103 500	140 300	183 500	246 600	308 000	383 000

Torques [Nm]

DN ->	400	450	500	600	700	800	900	1000	1100	1200	1400	1600	1800	2000	2200
PN10	1 471	1 872	2 593	3 907	5 498	7 926	10 148	13 467	17 274	21 797	32 306	46 829	64 084	87 231	112 637
PN16	2 148	2 736	3 800	5 734	8 054	11 680	14 939	19 876	26 935	32 159	47 681	69 017	106 340	140 397	181 990

LYSITHEA - Double eccentric butterfly valve DN400-2200 (3000)

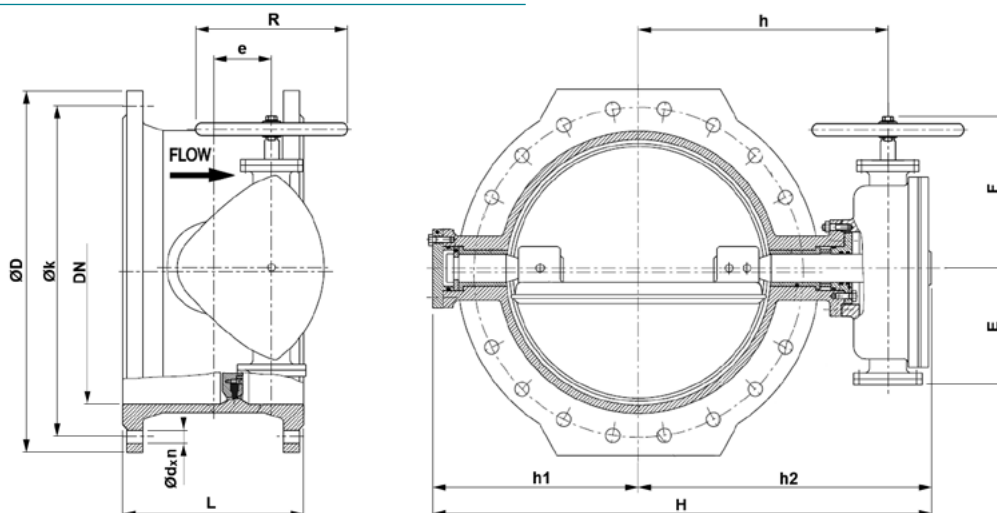
Type code

L6M	1000	3	3	-	2AR	4A	2AR	E
①	②	③	④	⑤	⑥	⑦	⑧	

①	Type	L6M	Double eccentric butterfly valve LYSITHEA, body length acc. ISO 5752 series 14 (EN 558-1 serie 14, DIN 3202 F4)
②	Nominal diameter	0400 - 2200	mm
③	Working pressure	2	10 bar
		3	16 bar
④	Rating	2	PN10
		3	PN16
⑤	Body material	2AR	GGG40 / EN-GJS-400-15 (Resicoat 250 µm)
		2AV	GGG40 / EN-GJS-400-15 / EPDM lined (with WRAS approval)
⑥	Shaft	4A	X20Cr13 / 1.4021 / AISI 420
⑦	Disc	2AR	GGG40 / EN-GJS-400-15 / GGG 40 (Resicoat 250 µm)
		2AV	GGG40 / EN-GJS-400-15 / GGG 40 EPDM lined (with ACS approval)
		4C0	Stainless steel 1.4408 / AISI 316
⑧	Seat	E	EPDM (with WRAS approval)
		V	FPM

Other executions on request (DN2400-3000, pressure 25/40 bar, other materials for body, disc and seat)

Dimensions



DN	L	D PN10	D PN16	k x n x d PN10	k x n x d PN16	E	F	e	h	h ₁	h ₂	H	R	ISO 5211	n *	kg PN10	kg PN16
400	310	565	580	515x16x28	525x16x31	200	250	85	433	345	550	895	320	F12	28	228	251
450	330	615	640	565x20x28	585x20x31	200	250	85	458	375	560	935	320	F14	28	285	314
500	350	670	715	620x20x28	650x20x34	295	390	145	537	445	680	1125	500	F14	36	415	457
600	390	780	840	725x20x31	770x20x37	295	390	145	597	515	745	1260	500	F16	36	566	623
700	430	895	910	840x24x31	840x24x37	430	540	230	632	525	807	1332	640	F25	50	730	803
800	470	1015	1025	950x24x34	940x24x41	430	540	230	750	655	937	1592	640	F25	50	1020	1122
900	510	1115	1125	1050x28x34	1050x28x41	430	540	230	799	710	987	1697	640	F30	50	1350	1485
1000	550	1230	1255	1160x28x37	1170x28x44	430	540	230	865	760	1052	1812	640	F30	50	1790	1969
1100	590	1340	1355	1270x32x37	1270x32x44	430	540	230	765	810	1100	1910	640	F30	50	1920	2112
1200	630	1455	1485	1380x32x41	1390x32x50	430	540	230	810	855	1142	1997	640	F30	50	2070	2277
1400	710	1675	1685	1590x36x44	1590x36x50	375	830	400	983	975	1252	2227	640	F30	268	3600	3960
1600	790	1915	1930	1820x40x50	1820x40x57	375	830	400	1280	1100	1392	2492	640	F35	268	4700	5170
1800	870	2115	2130	2020x44x50	2020x44x57	375	830	400	1490	1280	1572	2852	640	F40	268	5600	6160
2000	950	2325	2345	2230x48x50	2230x48x62	330	785	440	1590	1390	1750	3140	640	F48	300	9200	10120
2200	1030	2550	2555	2440x52x56	2440x52x62	330	785	440	1700	1490	1850	3340	640	F60	300	11500	12650

* n = Handwheel turns ON/OFF

InterApp AG
Grundstrasse 24
CH-6343 Rotkreuz
Phone +41 (0) 41 798 22 33
Fax +41 (0) 41 798 22 34
info@ch.interapp.net

InterApp Germany
Hochsträss 3
D-78727 Oberdorf am Neckar
Phone +49 (0) 771 896 689 30
Fax +49 (0) 771 896 689 35
info@de.interapp.net

InterApp Austria
Kolpingstrasse 19
A-1230 Wien
Phone +43 (0) 1 616 2371-0
Fax +43 (0) 1 616 2371-99
info@at.interapp.net

InterApp Italy
Via Gramsci 29
I-20016 Pero (MI)
Phone +39 02 33 93 71
Fax +39 02 33 93 7200
info@it.interapp.net

InterApp Spain
Juan Ramón Jiménez, 16
E-28860 Paracuellos de Jarama
Phone +34 (0) 91 658 48 83
Fax +34 (0) 91 658 14 30
info@es.interapp.net

InterApp France
La Picoterie
F-14400 Arganchy
Phone +33 (0) 67 436 61 34
Fax +33 (0) 23 121 18 95
info@fr.interapp.net

InterApp Hungary
Bécsi út 100
H-1034 Budapest
Phone +36 (1) 436 97 02
Fax +36 (1) 436 97 00
info@hu.interapp.net