

BM14A



- BM14A load cells are available in the capacities 10t~100t, 10Klb~500Klb.
- Stainless steel construction, hermetically welded, oil proof, waterproof, anti-corrosive gas and medium making it lightning protected in all kinds of environments.
- Column structure, good self-aligning ability, suitable for electronic platform scales, automobile testing facilities, hopper scales and other electronic weighing devices.

Features

- Capacity 10t~100t; 10Klb~500Klb
- High accuracy
- Four-column construction
- Stainless steel construction
- Easy installation and reliable performance
- PTB Approval No: D09-07.01

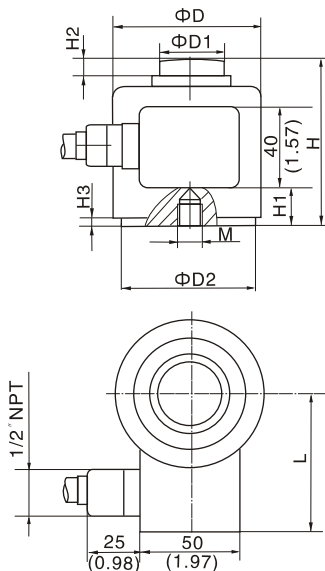
Accessories

- BY-14-101

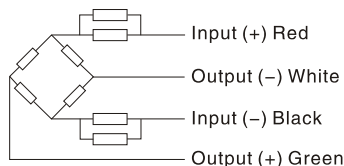
Specifications

Capacity	t Klb	10/25/40/60/100			
		10/25/50/100/200/300/500			
Accuracy		C2	C3	A5S	A5M
Approvals			OIML R60 C3		
Maximum number of verification intervals	n _{max}	2000	3000	5000	5000
Minimum load cell verification interval	v _{min}	E _{max} /5000	E _{max} /10000	E _{max} /15000	E _{max} /15000
Combined error	(%FS)	≤ ±0.030	≤ ±0.020	≤ ±0.018	≤ ±0.026
Creep	(%FS/30min)	≤ ±0.024	≤ ±0.016	≤ ±0.012	≤ ±0.017
Temperature effect on sensitivity	(%FS/10°C)	≤ ±0.017	≤ ±0.011	≤ ±0.009	≤ ±0.013
Temperature effect on zero	(%FS/10°C)	≤ ±0.023	≤ ±0.015	≤ ±0.010	≤ ±0.014
Output sensitivity	(mv/v)	2.0±0.002			
Input resistance	(Ω)	450±4.5			
Output resistance	(Ω)	480±4.8			
Insulation resistance	(MΩ)	≥5000(50VDC)			
Zero balance	(%FS)	1.0			
Temperature, compensated	(°C)	-10~+40			
Temperature, operating	(°C)	-35~+65			
Excitation, recommended	(V)	5~12(DC)			
Excitation, max	(V)	18(DC)			
Safe overload	(%FS)	150			
Ultimate overload	(%FS)	300			

Outline Dimension mm(inch)



Capacity Dimension	10t,25t	40t,60t	100t	25K,50K	100K	200K,300K	500K
ΦD	73 (2.87)	105 (4.13)	151.4 (6.0)	73 (2.87)	105 (4.13)	151.4 (6.0)	162.6 (6.4)
ΦD1	31.8 (1.25)	58.7 (2.31)	79.4 (3.13)	31.8 (1.25)	58.7 (2.31)	79.4 (3.13)	93.7 (3.69)
ΦD2	58 (2.28)	82.5 (3.25)	123.8 (4.87)	58 (2.28)	82.5 (3.25)	123.8 (4.87)	136.3 (5.37)
H	82.5 (3.25)	127 (5.0)	184.2 (7.25)	82.5 (3.25)	127 (5.0)	184.2 (7.25)	228.6 (9.0)
H1	38.23 (1.5)	65.07 (2.56)	87.35 (3.44)	38.23 (1.5)	65.07 (2.56)	87.35 (3.44)	101.5 (4.0)
H2	7.75 (0.31)	9.4 (0.37)	23.15 (0.91)	7.75 (0.31)	9.4 (0.37)	23.15 (0.91)	10.85 (0.43)
H3	2.6 (0.10)	4 (0.16)	3.7 (0.15)	2.6 (0.10)	4 (0.16)	3.7 (0.15)	3.7 (0.15)
L	64 (2.52)	87 (3.43)	108.2 (4.26)	64 (2.52)	87 (3.43)	108.2 (4.26)	121.9 (4.8)
M	M12×1.75	M20×2.5	M20×2.5	1/2-20UNF	3/4-16UNF	3/4-16UNF	3/4-20UNF



Wiring:

Adopt shielded, 4 conductor cable: ϕ 7.5mm
Standard cable length:
10t : 10m;
25t ~ 100t : 20m;
10Klb ~ 500Klb: 9m