

Capacity	Accuracy	Part-Number
60 kg	C3	BM24R -60kg C3 3B
130 kg	C3	BM24R-130kg C3 3B
280 kg	C3	BM24R-280kg C3 3B
250 kg	C3	BM24R-250kg C3 3B
500 kg	C3	BM24R-500kg C3 3B
1 t	C3	BM24R-1t C3 3B
2 t	C3	BM24R-2t C3 6B
3.5 t	C3	BM24R-3.5t C3 6B
5 t	C3	BM24R-5t C3 6B
10 t	C3	BM24R-10t C3 15B
13 t	C3	BM24R-13t C3 15B
28 t	C3	BM24R-28t C3 15B
60 t	C3	BM24R-60t C3 15B

Stainless steel
 Low profile load cell
 Hermetically sealed IP68
 Up to 13t with integrated overload protection

Specifications:

Accuracy class ²		OIML R60 C3					
Maximum capacity (E_{max})	t	0.06, 0.13, 0.28	250kg ⁴ , 0.5, 1, 2, 3.5, 5	10	13	28	60
Output sensitivity (= FS)	mV/V	1 ± 0.01	2.0 ± 0.1	2.0 ± 0.1	2.0 ± 0.1	2.0 ± 0.1	2.0 ± 0.1
Current calibration ¹	SC	Standard					
Maximum number of load cell intervals (n_{LC})		3000					
Minimum LC verification interval $Y = E_{max} / V_{min}$	Y	17500					
Min. Dead Load Output Return $Z = \frac{1}{2} * E_{max} / DR$	Z	3000					
Combined Error	%FS	± 0.0230					
Minimum dead load	of E_{max}	≥ 0 %					
Safe overload	of E_{max}	150 %					
Safe sideload	of E_{max}	75 %					
Zero balance	of FS	< ± 1.0 %					
Excitation, recommended voltage	V	10 ~ 15					
Excitation maximum	V	30					
Input resistance	Ω	1260 ± 100	1100 ± 100	1100 ± 100	1200 ± 100	1075 ± 100	1350 ± 200
Output resistance	Ω	1020 ± 0.5	1025 ± 25	1025 ± 25	1000 ± 0.5	930 ± 0.5	1175 ± 0.5
Insulation resistance	MΩ	≥ 5000 (at 50VDC)					
Temperature range, compensated	°C	-10 ~ +40					
Temperature range, operating	°C	-35 ~ +70					
Temperature range, storage	°C	-50 ~ +90					
Recommended torque on fixation bolts	Nm	8	10	10	-	-	-
Element material		Stainless steel 1.4542					
Cable shield connected to housing		No	Yes	Yes	No	No	No
Cable length	m	3	3-1t / 6-2t	15	15	15	15
Ingress Protection (according to EN 60529)		IP66 / IP68					
ATEX classification (optional) ³		II2G Ex ib II1C T4 / II3G Ex nA/nL IIC T4 / II2D Ex ibD 20 T73°C / II3D Ex tD IIC T4					

Note 1: Current calibration: Output sensitivity and output resistance are adjusted so that the output current is calibrated within 0,05% of a reference value.

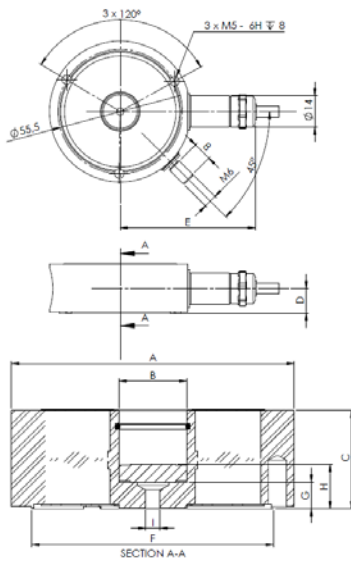
Note 2: Pending

Note 3: Pending

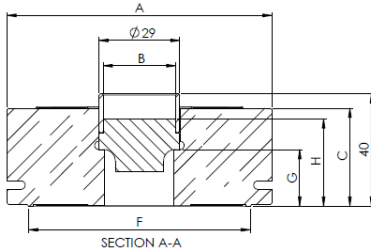
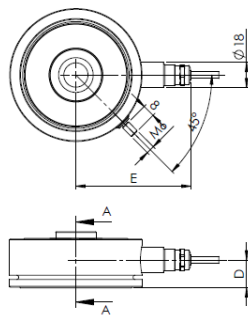
Note 4: Sensitivity is only 1,75 mV/V ± 0.1 mV/V

Outline Dimensions in mm

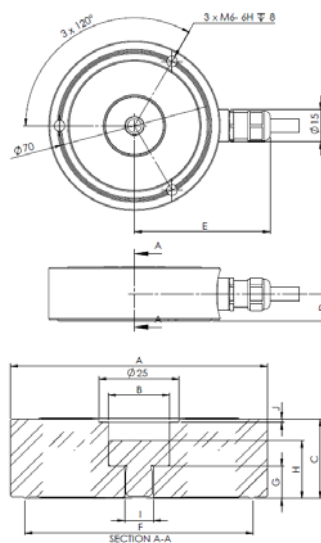
0.06, 0.13, 0.28t



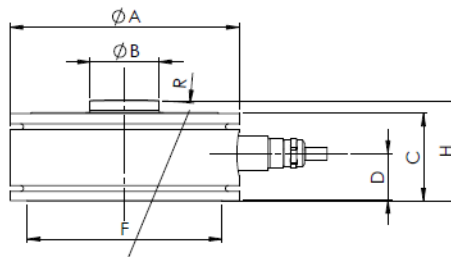
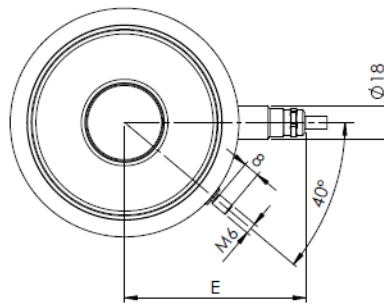
13t



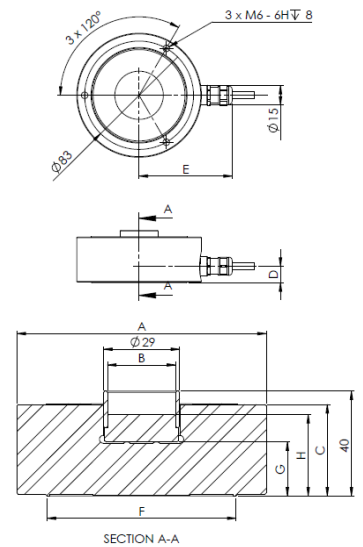
250kg, 0.5, 1, 2, 3.5, 5t



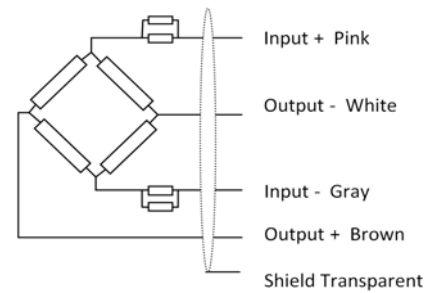
28, 60t



10t



4 - Wire



Capacity t	ØA	ØB	C	D	E	ØF	G	H	I	J	R
0.06, 0.13, 0.28	63	15.1	22	11	60	54	6	10	Ø3.2	--	--
0.5, 1	80	19	25	12.5	65	71	10	18	M10	1	--
2, 3.5, 5	80	19	30	12.5	65	71	10	18	Ø15	6	--
10	95	26	35	12.5	72	75	20.7	31.2	--	--	--
13	95	26	35	20	85	79.5	20	31	--	--	--
28	120	35.9	46	25	94	102	--	53	--	--	400
60	140	47.9	62	34	104	124	--	69	--	--	600

Nr. 2010.08 BM24R Rev 1