

# BM6A



- BM6A load cells are available in the capacities 6kg ~ 60kg, and 25 ~ 100lb.
- 17-4PH stainless steel construction, potted by adhesive inside, oil proof, waterproof, anti-corrosive gas and medium making it suitable for all kinds of environments.
- Single point with parallel beam, suitable for electronic scales, platform scales, belt scales, packaging scales and other electronic weighing devices.
- Recommended platform size: 300 × 300mm

### Features

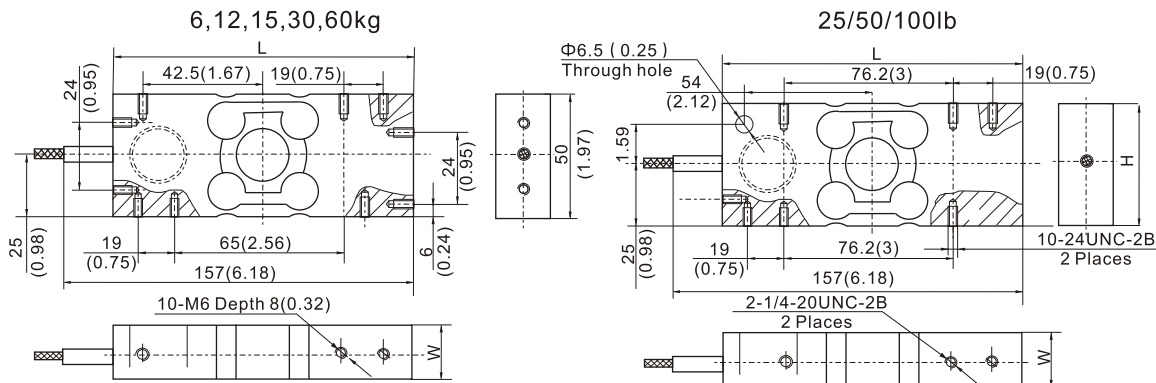
- Capacity: 6kg ~ 60kg, 25 ~ 100lb
- High accuracy
- Stainless steel construction
- Low profile and easy installation

### Specifications

Capacity	kg	6/12/15/30/60	
	lb	25/50/100	
Accuracy		C2	C3
Maximum number of verification intervals	n <sub>max</sub>	2000	3000
Minimum load cell verification interval	v <sub>min</sub>	E <sub>max</sub> /5000	E <sub>max</sub> /10000
Combined error	(%FS)	≤ ± 0.030	≤ ± 0.020
Creep	(%FS/30min)	≤ ± 0.024	≤ ± 0.016
Temperature effect on sensitivity	(%FS/10°C)	≤ ± 0.017	≤ ± 0.011
Temperature effect on zero	(%FS/10°C)	≤ ± 0.023	≤ ± 0.015
Output sensitivity	(mv/v)	2.0 ± 0.2/2.0 ± 0.002/3.0 ± 0.2	
Input resistance	(Ω)	400 ± 20	
Output resistance	(Ω)	351 ± 2.0	
Insulation resistance	(MΩ)	≥ 5000(50VDC)	
Zero balance	(%FS)	1.5	
Temperature, compensated	(°C)	-10 ~ +40	
Temperature, operating	(°C)	-35 ~ +65	
Excitation, recommended	(V)	5 ~ 12(DC)	
Excitation, max	(V)	18(DC)	
Safe overload	(%FS)	150	
Ultimate overload	(%FS)	300	
Corner correction		0.02% load value/100mm	

Note: output sensitivity of S1 type is 2.0 ± 0.002mv/v; output of imperial model is 3.0 ± 0.2mv/v,

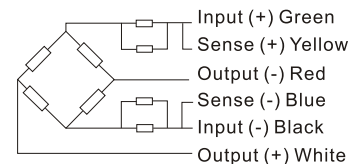
### Outline Dimension mm(inch)



Capacity	Dimension	L	H	W
6, 12, 15, 30kg		130(5.12)	50(1.96)	18.5(0.73)
60kg		130(5.12)	50(1.96)	23.5(0.92)
25lb		127.4(5.02)	50(1.96)	18.5(0.73)
50lb		127.4(5.02)	49.7(1.95)	18.5(0.73)
100lb		127.4(5.02)	46.3(1.82)	23.9(0.94)

### Wiring:

Both 4 and 6 conductor wires are available on customers' requirements.  
Cable diameter: Φ5 ± 0.2mm  
Standard length for 4 conductor cable: 3m  
Standard length for 6 conductor cable: 6m



Note: Connection of 6 conductor wires are as above. For 4 conductor wires the yellow and blue sense wires are removed.